

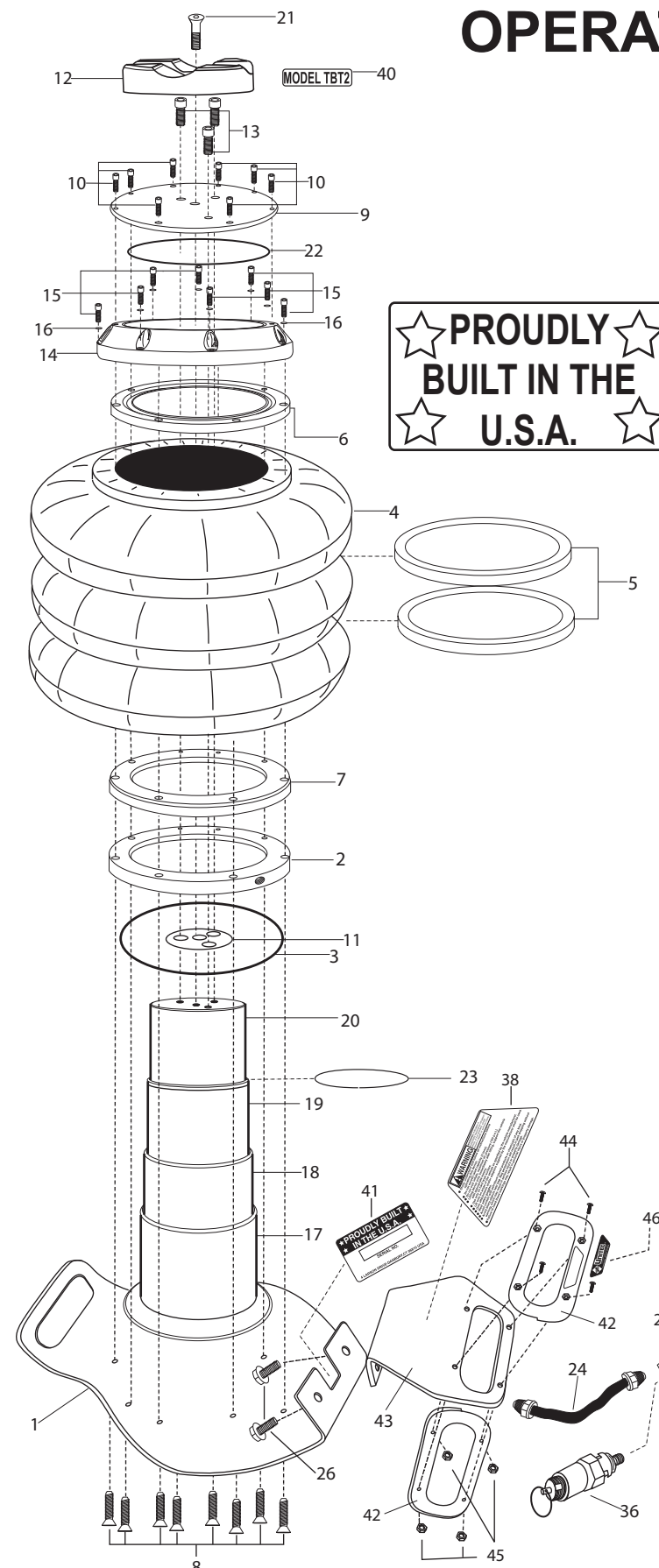


MODEL TBT2



4 Larson Drive Danbury, CT 06810 U.S.A. 1-800-446-5257 (203) 778-0400 Fax (203) 778-0036

OPERATION & PARTS MANUAL



ITEM	PART NO.	DESCRIPTION	QTY.
1	2200	Base	1
2	2201	Lower Air Ring	1
3	2202	O Ring (Bag Seal) 5 5/8 X 1/8	1
4	2240	Air Bag	1
5	2204	Center Ring	2
6	2205	Upper Bag Ring	1
7	2205	Lower Bag Ring	1
8	2207	Low Plate Mtg. Bolts 1/4 20 X 1 1/2 cntsnk	8
9	2242	Top Plate	1
10	2243	Top Plate Mtg. Bolts 1/4 20 X 5/8 Allen	8
11	2211	Gasket	1
12	2244	Jack Pad	1
13	2213	Mtg. Bolts 3/8 16 X 5/8	3
14	2214	Spacer Ring	1
15	2215	Spacer Ring Mtg. Bolts 1/4 20 X 1 1/8	8
16	2210	Washers	8
17	2247	Inner Member #1	1
18	2248	Inner Member #2	1
19	2249	Inner Member #3	1
20	2250	Inner Member #4	1
21	2221	Jack Pad Mtg. Bolt 3/8 16 X 1 1/2	1
22	2216	Spacer Ring O Ring 4 3/4 X 1/8	1
23	2223	Lock Ring	1
24	2225	Hose Assembly	1
25	2226	Valve Block	1
26	2227	Valve Blk. Mtg. Bolt 5/16 18 X 7/8 Serrated	2
27	2228	Handle	1
28	2229	Roll Pin 1 3/8 X 0.187	1
29	2230	Valve Body	2
30	2231	Valve Stem	2
31	2232	Valve Lock Cap	2
32	2233	Valve Spring	2
33	2234	O Ring 0.625	4
34	2235	O Ring 0.250	2
35	2236	O Ring 3/32 Teflon	2
36	2237	Pressure Relief Valve	1
37	2237	1/8 NPT Brass Allen Plug	1
38	3101	Warning Label	1
39	3201	Unitec Label	1
40	3104	Rak Jak TBT2 Label	1
41	3037	Serial Number Label	1
42	2245	Handle Grip	2
43	2199	Carry Handle	1
44	2277	Button Head Blk. 10-32 X 1/2	4
45	2278	Nut Black 10-32	4
46	3052	Unitec Handle Label	1
	4041	Operation & Parts Manual	1

NOTE: PART NUMBERS IN GRAY BOXES ARE FIELD REPLACEMENT PARTS!

Please carefully cut out card along dotted lines, fill out information and mail.

PLACE STAMP HERE

4 Larson Drive • Danbury, CT 06810 • U.S.A.

OPERATING AND WARNING INSTRUCTIONS

WARNING WARNING indicates a potentially hazardous situation which, if not avoided, could result in death or serious injury.

- Study, understand and follow all instructions before operating this device.
- Do not exceed rated capacity (2 tons).
- Do not overinflate, maximum air pressure (105 p.s.i.).
- Lifting device only. Immediately after lifting, support the vehicle with appropriate means.
- Use only on hard level surface.
- Keep hands away from jack pad at all times.

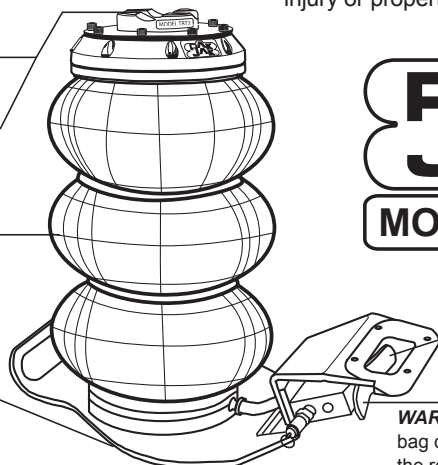
- Lift only on areas of the vehicle as specified by the vehicle manufacturer.
- Only attachments and/or adaptors supplied by the manufacturer shall be used.
- Wear Safety goggles.
- Avoid contact with petroleum based products or chemicals of any kind.
- Avoid sharp objects near bag. Bag penetration will result in jack dropping without warning, which will result in serious injury or property damage.
- Failure to heed these markings may result in personal injury or property damage.

Be absolutely sure jack pad is secure at lift point.
Lift load from Jack Pad only...
Lifting from top will damage top plate and create an unsafe condition.

Sharp object puncturing bag will release load without warning.

Always place Rak Jak on a solid flat surface. Base must be parallel to lifting point to prevent uneven jacking that may cause sudden drop of load.

(See Illustrations below)

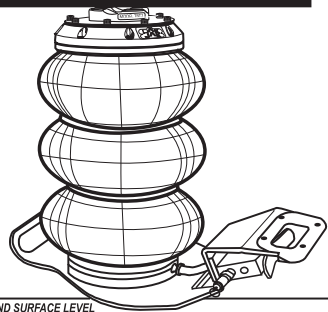


TO RAISE:
Push green arrow.

TO DEFLATE:
Push red arrow.

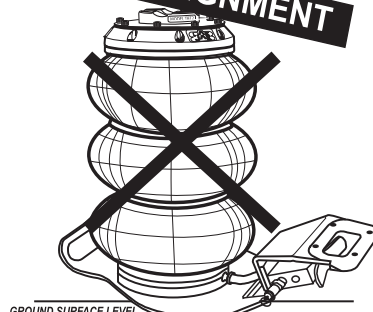
WARNING: With air line disconnected, bag can be deflated by pressing either the red or green arrow on the handle.

PARALLEL



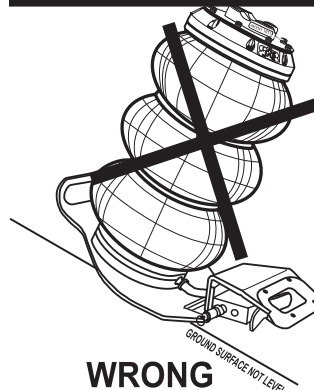
CORRECT

NON ALIGNMENT



WRONG

NON ALIGNMENT



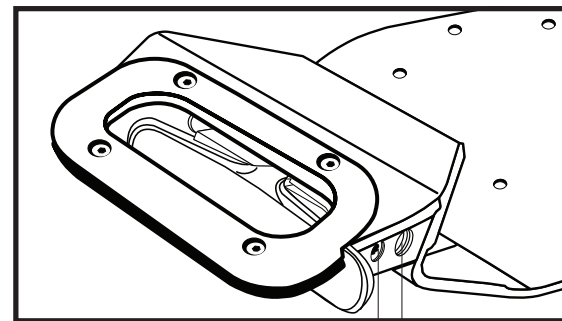
WRONG

WARNING: RAK JAK™ base and lifting surface should always be parallel to jack to avoid jack from slipping. NON ALIGNMENT MAY RESULT IN LOAD DROPPING SUDDENLY, WHICH MAY CAUSE SEVERE INJURY OR DEATH.

MAINTENANCE INSTRUCTIONS

Rak Jak™ is designed for low maintenance, however please observe these suggestions...

Rak Jak Valve Block



WARNING:
DO NOT Remove Brass Plug

AIR INLET:
Accepts Your 1/4" NPT Fitting

Add a few drops of pneumatic tool oil to air inlet occasionally (monthly).

Visually inspect Rak Jak before each use. Do not use Rak Jak if you detect scars, abrasions, rips or punctures in air bag. If so, Rak Jak should be returned to factory for inspection and evaluation.

Return Address:

ZENDEX™
TOOL CORPORATION
American Tool Builders
4 Larson Drive Danbury, CT 06810 U.S.A.

©2008 ZENDEX TOOL CORPORATION. All rights reserved. Specifications subject to change without notice.

WARRANTY REGISTRATION CARD MODEL TBT2

Please return this warranty and product update registration.

Purchased from: _____

Purchaser: _____

Address: _____

City _____ **State** _____ **City** _____

Rak Jak™ TBT2 is warranted to be free of defects in material and workmanship under normal use for two years from date of sale to user.

Any Rak Jak TBT2 or component part claimed to be defective during warranty period must be returned to your local Zendex jobber or distributor for inspection; transportation charges prepaid. The product must be properly tagged, stating nature of defect, customer's name, address, and date of purchase. Your local Zendex jobber will direct warranty claims to Zendex Tool Corp.

Any product or component determined defective by Zendex Tool Corp., due to normal use, will be repaired or replaced free of charge during warranty period and returned freight prepaid.

Warranty is void if equipment has been subjected to neglect, misuse, lack of proper lubrication, careless operation, faulty or deficient service, or if alterations or repairs have been made by someone other than an authorized representative, exclusive of normal maintenance.

Acknowledged _____ **Signature** _____ **Date** _____

ZENDEX™
TOOL CORPORATION
American Tool Builders 4 Larson Drive Danbury, CT 06810 U.S.A.